

NEXTY-S

Multi Channel Pipette

Instruction Manual ver.1.0



Sales agency

WATSON CO., LTD. E-mail: tcr@watson.co.jp

Export Division: 2-2-7 Murotani Nishi-ku Kobe, 651-2241, JAPAN TEL 81-78-991-4489 FAX 81-78-991-4491

Head Office: 1F, 14-17 Daikanyama-cho, Shibuya-ku, Tokyo, 150-0034, JAPAN TEL 81-3-5615-3591 FAX 81-3-6427-0740

Manufacturer: **FUKAIEKASEI** CO., LTD.

*Please see a guarantee card also packaged in the box for information for local sales distributors.



Table of Content

1. Safety Instruction and Preventive Action	4
2. Technical Data	5
3. The Outline	6
4. Operation	7
4.1 To set the Volume	7
4.2 Volume indication (Example of each pipette)	7
4.3 Tip	7
4.4 To aspirate a sample	7
4.5 To discharge a sample	8
4.6 To pipette with precision	8
5. In case accurate calibration of the pipette is required	9
6. Cleaning and Sterilization	9
6.1 Cleaning	9
6.2 Sterilization	9
7. Troubleshooting	10
8. Maintenance	11-14

Thank you very much for purchasing NEXTY pipette.

Please read this instruction manual carefully for proper usage before actual use.

Introduction:

NEXY-5 Multi channel series offer you 4 variable-volume models and you can choose a model from the volume range of 1~10 μ L, 10~100 μ L, 20~200 μ L, 50~300 μ L.



Safety Instruction and Preventive Action

- Attach a tip on the pipette before use.
- Do not pipette sample or any substances into the pipette's body.
- Do not lay the pipette while holding sample in the tip to avoid contamination.
- Read pertinent instructions and pay extra caution when handling substances that may be harmful to human health such as biohazardous substances, radioactive substances or toxic substances.
- Check the resistance ability of the tip (Polypropylene), when using organic solvent or highly reactive substances.
- Pay extra attention to the volume of a sample when using a substance that has different physical property from H₂O, or high volatility.
- Keep the pipette, tips and samples at the same temperature for precise volume pipetting.
- Do not use acetone or other highly reactive solvent for cleaning the pipette.
- Use WATSON brand tips for accurate pipetting.
- There is a danger of the body being damaged by applying load or giving impact.

2. Technical Data

Model	Button Color	min. scale	Volume	Accuracy		Precision	
				μ L	%	S.D. μ L	CV%
NEXY-S810 1~10 μ L	Pink	0.01 μ L	1 μ L	± 0.08	± 8.0	≤ 0.05	≤ 5.0
			10 μ L	± 0.20	± 2.0	≤ 0.10	≤ 1.0
NEXY-S8100 10~100 μ L	Green	0.1 μ L	10 μ L	± 0.30	± 3.0	≤ 0.20	≤ 2.0
			100 μ L	± 1.00	± 1.0	≤ 0.50	≤ 0.5
NEXY-S8200 20~200 μ L	Yellow	0.1 μ L	20 μ L	± 0.60	± 3.0	≤ 0.20	≤ 1.0
			200 μ L	± 2.00	± 1.0	≤ 1.00	≤ 0.5
NEXY-S8300 50~300 μ L	Turquoise Blue	0.1 μ L	50 μ L	± 1.50	± 3.0	≤ 0.50	≤ 1.0
			300 μ L	± 1.80	± 0.6	≤ 0.90	≤ 0.3

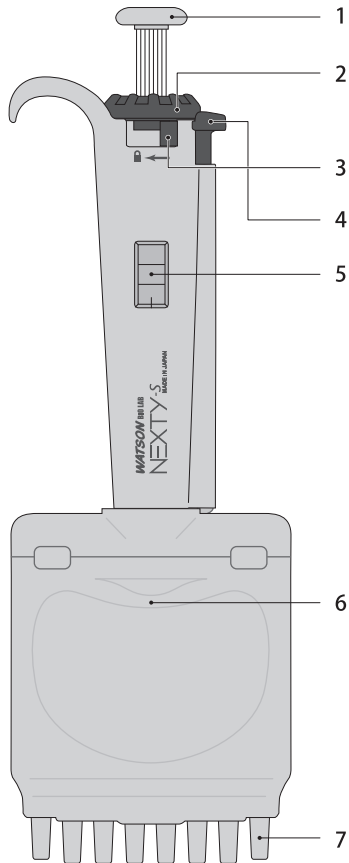
Conditions

- WATSON BRAND tips are used.
- Measurement: Max. & min. volume capacity for every channel.
- Sample & the ambient: Purified water is used, 20~25 $^{\circ}$ C, humidity: Rh50% \leq
- Equipment: Gravimetric method by microbalance.

3. The Outline

NEXTY-S is a variable volume micro-pipette applied with a air-cushion plunger stroke system.

Dwg.1 Description & Name



1. Push Button

Push this button to aspirate, discharge and set the volume of samples to be aspirated. The 1st stroke until the 1st stop is to aspirate the set volume of sample. The last stroke till the end (2nd stop) is to discharge the sample. The sample volume to be aspirated can be set by revolving this button which is directly connected to the plunger.

* When you set capacity, please confirm that 3 lock levers is removed. Parts might be damaged when you turn it with locking.

2. Turbo Dial

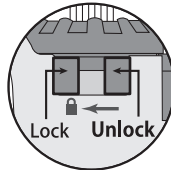
1 revolution of this button works as 3.5 revolutions of the push button.

This button is useful when making a big volume change.

* When you set capacity, please confirm that 3 lock levers is removed. Parts might be damaged when you turn it with locking.

3. Lock Lever

This lever is to lock the dial to prevent the set volume from changing while using the pipette.



4. Eject Button

This button is to eject the tip.

5. Volume Window

This window shows the volume set by the dial.

6. Eject Cone

This eject cone is connected with the eject button and pushes down a tip for ejection.

7. Nozzle Cone

A tip is attached on this nozzle cone.

4. Operation

4.1. To set the volume

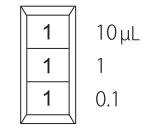
The sample volume to be aspirated can be changed continuously by revolving Push Button (Dwg.1-1) or Turbo Dial (Dwg.1-2) (Shaft positioning system allows the volume to be set in the min. unit. The minimum unit is 1/1,000 of the max. volume capacity.).

* When you turn Push Button or Turbo Dial, please confirm that Lock Levers(Dwg.1-3) is removed. Parts might be damaged when you turn it with locking.

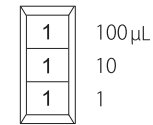
4.2 Volume indication (Example of each pipette)

3 digits on the volume window read from the top to bottom.

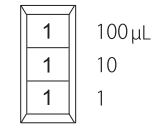
NEXTY-S810



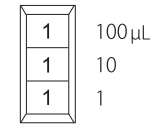
NEXTY-S8100



NEXTY-S8200



NEXTY-S8300



4.3. Tip

Make sure a tip is attached on the pipette before use.

4.4. To aspirate

- Attach a tip suitable for the pipette.
- Press the Push Button slowly to the 1st stop (aspiration stroke).
- Dip the top of the tip by about 3mm below the surface of the sample liquid.
- Return the Push Button slowly (Make sure the tip is immersed in the liquid.)
- Withdraw the tip out of the liquid slowly.

4.5. To discharge the sample

- Hold the pipette so that the top of the tip diagonally and lightly touches the inner wall of the recipient vessel.
- Press the Push Button slowly to the 1st stop (aspiration stroke) and keep this button's position until the discharge is done.
- Press the Push Button to the 2nd stop (blow-out stroke) to complete the discharge.
- Withdraw the tip along the inner wall of the recipient vessel while keeping the Push Button pressed fully down.
- Release the Push Button slowly to the original position.
- Eject the tip by pushing the Eject Button.

4.6. For better pipetting precision

For better pipetting precision, it is recommended to conduct pre-wetting after a new tip is attached where aspirate and discharge are repeated 2-3 times using the actual sample. Make sure blow-out is conducted after the pre-wetting and the sample inside the tip is completely discharged.

Pre-wetting is for:

- Balance pressures of the whole system including tips, pipette, and samples.
- Balance temperatures of tips, pipette, and samples.
- Particular liquids such as serum, surfactant etc. that are easy to wet the tip's material may form a film on the inner wall of the tip. This may cause the discharged sample volume to be reduced. Pre-wetting prevents the reduction of the discharged sample.

5. In case accurate calibration of the pipette is required.

Please ask local sales distributors for the calibration as it requires perfectly conditioned room, measurement equipments and techniques based on experience.

We will restore the pipette to the pre-shipment condition and ship it back to you.

6. Cleaning and Disinfection

6.1 Cleaning

If NEXTY-S Multi Channel Pipette is disassembled, there is a possibility that the device will be damaged.

For interior cleaning, please contact to the distributor you purchased the product from.

Clean the pipette regularly with household or laboratory cleaning agents. It can also be disinfected by 60% isopropanol when it is necessary.

Wipe the pipette with a cloth wetted with distilled water and dry in the room temperature after cleaning and disinfection.

6.2 Sterilization

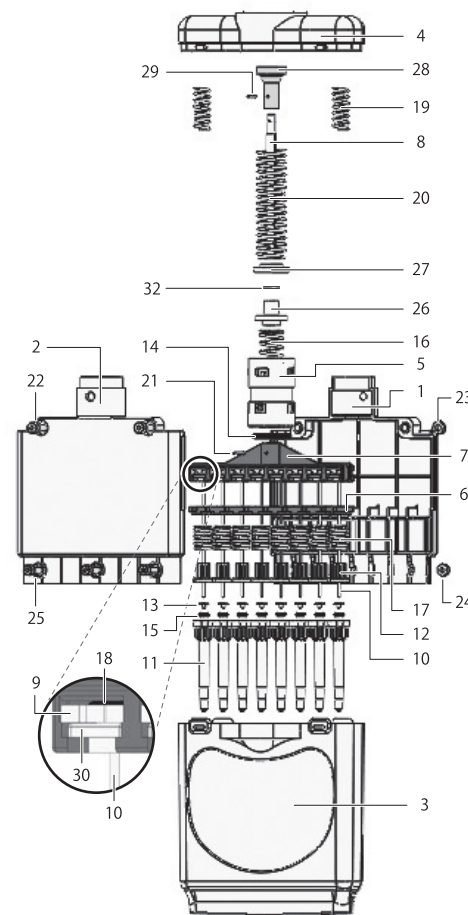
Do not autoclave the pipettes. It may cause damages to the products.

7. Trouble shooting

Trouble	Possible Cause	Solution
Liquid is left in the tip.	<ul style="list-style-type: none"> The inner wall of the tip is dirty. Water repellency of the tip is low. 	<ul style="list-style-type: none"> Replace the tip. Use tips with higher repellency.
The liquid falls from the tip's top. The pipetted volume is low.	<ul style="list-style-type: none"> Fitting of the tip is loose. Fitting of the tip and Nozzle Cone is no good. The sample's volatility is very high. Pipetting too fast. Withdraw the tip from the sample too quickly. 	<ul style="list-style-type: none"> Attach the tip tightly. Use original WATSON brand tips. Avoid using high volatility liquids. Press the Push Button slowly. Withdraw the tip slowly from the sample.
Push Button does not move smoothly.	<ul style="list-style-type: none"> The plunger is dirty. The plunger seal is dirty. Organic solution or corrosive gas have been pipetted. 	<ul style="list-style-type: none"> The inside of the pipette must be cleaned. Please ask local sales distributors.
NEXTY does not aspirate samples.	<ul style="list-style-type: none"> The sample has dried and blocks Nozzle Cone. 	

8. Maintenance

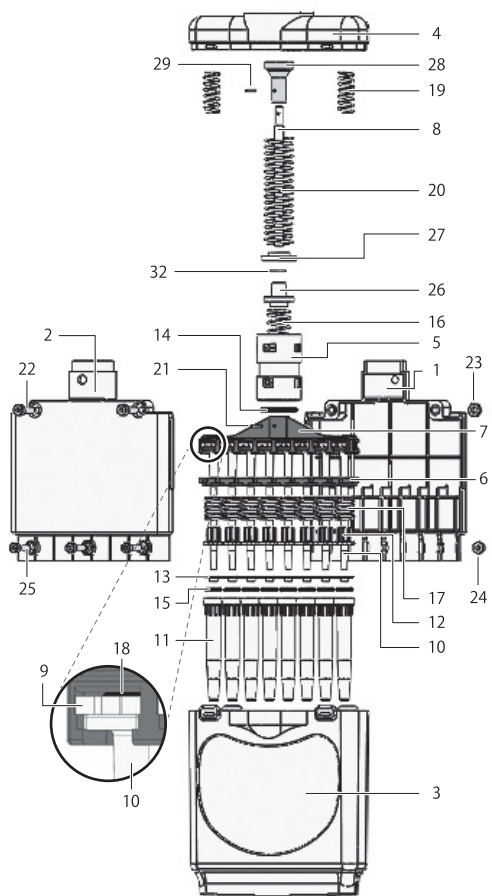
[NEXTY-S810]



■NEXTY-S810

No.	Name	Parts No.
1	Nozzle Holder A	8013MA
2	Nozzle Holder B	8023MA
3	Eject Cover A	8033M2
4	Eject Cover B	8043MA
5	Body Joint	8054MA
6	Nozzle Spring Plate	8062M245
7	Plunger Bracket	8081MA
8	Bracket Rod	8130MA
9	Bracket Spacer	8350MA
10	Plunger	8111R2
11	Nozzle	8091M2
12	Nozzle Spring Washer	8101M2
13	Plunger Seal	8370M2
14	Body Joint O-ring	8200RA
15	Air Seal O-ring	8210R2
16	Air Blow Spring	8220RA
17	Nozzle Spring	8230RA
18	Bracket O-ring	8340RA
19	Eject Cover Spring	8250RA
20	Spring S2-350KAI	8310RA
21	Knock Pin 1×8	8270RA
22	Pan Head Screw M2.5×10	8280RA
23	Nut M2.5	8290RA
24	Nut M2	8320RA
25	Pan Head Screw M2.0×10	8330RA
26	Spring washer 2	402MA
27	Spring washer 3	412MA
28	Plunger Joint	532M67
29	Knock Pin 1×6	561R67
30	10 Plunger Holder	8360M2
32	Body Spacer	8390RA

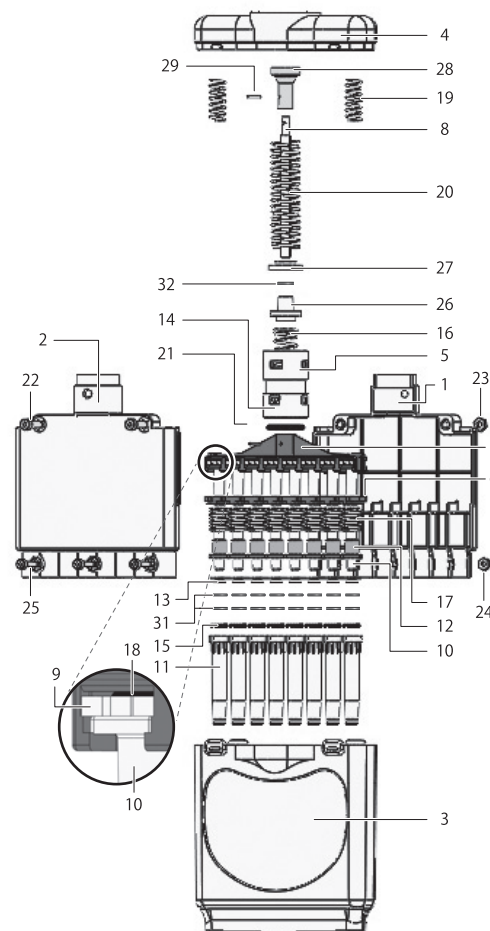
【NEXTY-S8100】



■NEXTY-S8100

No.	Name	Parts No.
1	Nozzle Holder A	8013MA
2	Nozzle Holder B	8023MA
3	Eject Cover A	8033M458
4	Eject Cover B	8043MA
5	Body Joint	8054MA
6	Nozzle Spring Plate	8062M245
7	Plunger Bracket	8081MA
8	Bracket Rod	8130MA
9	Bracket Spacer	8350MA
10	Plunger	8300M4
11	Nozzle	8091M4
12	Nozzle Spring Washer	8101M4
13	Plunger Seal	8370M4
14	Body Joint O-ring	8200RA
15	Air Seal O-ring	341R4
16	Air Blow Spring	8220RA
17	Nozzle Spring	8230RA
18	Bracket O-ring	8340RA
19	Eject Cover Spring	8250RA
20	Spring S2-350KAI	8310RA
21	Knock Pin 1×8	8270RA
22	Pan Head Screw M2.5×10	8280RA
23	Nut M2.5	8290RA
24	Nut M2	8320RA
25	Pan Head Screw M2.0×10	8330RA
26	Spring washer 2	402MA
27	Spring washer 3	412MA
28	Plunger Joint	532M67
29	Knock Pin 1×6	561R67
32	Body Spacer	8390RA

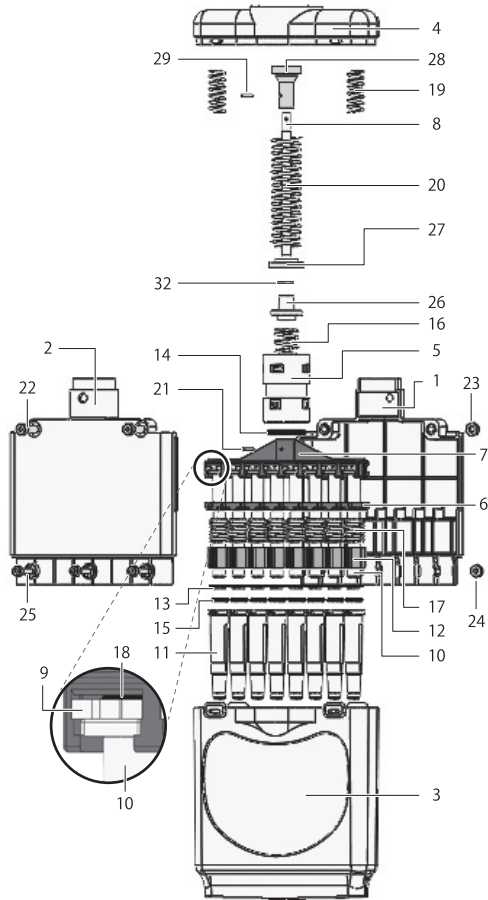
【NEXTY-S8200】



■NEXTY-S8200

No.	Name	Parts No.
1	Nozzle Holder A	8013MA
2	Nozzle Holder B	8023MA
3	Eject Cover A	8033M458
4	Eject Cover B	8043MA
5	Body Joint	8054MA
6	Nozzle Spring Plate	8062M245
7	Plunger Bracket	8081MA
8	Bracket Rod	8130MA
9	Bracket Spacer	8350MA
10	Plunger	8300M5
11	Nozzle	8091M5
12	Nozzle Spring Washer	8101M5
13	Plunger Seal	S332M5
14	Body Joint O-ring	8200RA
15	Air Seal O-ring	8210R5
16	Air Blow Spring	8220RA
17	Nozzle Spring	8230RA
18	Bracket O-ring	8340RA
19	Eject Cover Spring	8250RA
20	Spring S2-350KAI	8310RA
21	Knock Pin 1×8	8270RA
22	Pan Head Screw M2.5×10	8280RA
23	Nut M2.5	8290RA
24	Nut M2	8320RA
25	Pan Head Screw M2.0×10	8330RA
26	Spring washer 2	402MA
27	Spring washer 3	412MA
28	Plunger Joint	532M67
29	Knock Pin 1×6	561R67
31	Spacer	8380R5
32	Body Spacer	8390RA

[NEXTY-S8300]



■NEXTY-S8300

No.	Name	Parts No.
1	Nozzle Holder A	8013MA
2	Nozzle Holder B	8023MA
3	Eject Cover A	8033M458
4	Eject Cover B	8043MA
5	Body Joint	8054MA
6	Nozzle Spring Plate	8062M8
7	Plunger Bracket	8081MA
8	Bracket Rod	8130MA
9	Bracket Spacer	8350MA
10	Plunger	8300M8
11	Nozzle	8091M8
12	Nozzle Spring Washer	8101M8
13	Plunger Seal	8370M8
14	Body Joint O-ring	8200RA
15	Air Seal O-ring	8210R8
16	Air Blow Spring	8220RA
17	Nozzle Spring	8230RA
18	Bracket O-ring	8340RA
19	Eject Cover Spring	8250RA
20	Spring S2-350KAI	8310RA
21	Knock Pin 1×8	8270RA
22	Pan Head Screw M2.5×10	8280RA
23	Nut M2.5	8290RA
24	Nut M2	8320RA
25	Pan Head Screw M2.0×10	8330RA
26	Spring washer 2	402MA
27	Spring washer 3	412MA
28	Plunger Joint	532M67
29	Knock Pin 1×6	561R67
32	Body Spacer	8390RA